

**1 - USE**

The floor coverings EBENBILD are intended for a use in new or old interior premises.

The use is compatible with underfloor heating (under respect of conditions §3 « Before the installation »).

**IMPORTANT:**

Don't install the covering in verandas, mobile homes, light recreational facilities, winter gardens, in rooms with a temperature < 10°C, on a reversible underfloor heating or with a temperature > 28°C, on strongly degraded supports, on a substrate with moisture rebound, on wooden panel floors.

**IMPORTANT:**

- Maintain all the time the temperature of the room where the covering is installed between 15 and 27 ° C [otherwise a room heating or cooling system is required to maintain these ambient conditions].

- When the covering is exposed to sunlight [presence of window, roof window or skylight], a protection by blanking is required to avoid a significant expansion of the product.

If the above provisions do not apply, a bonding of the plank must be carried out at the exposed area with bi-component PU adhesive for extreme conditions (reference available from your dealer).

Failure to comply with these recommendations will result in a warranty exclusion.

1 For all complementary technical information, ask your dealer for advice.

**2 - RECOMMENDED MATERIALS**

Recommended materials for a good installation of the covering:

- a meter, a steel rule or steel square, a cutter, a wood or synthetic mallet, some gloves, some shims, and a pencil or a chalk.

**3 - BEFORE THE INSTALLATION**

2 Check that the batch number is identical on the packaging of all packages.

Unpack the covering and lay it flat in small piles (decoration upwards) on a clean and level surface, at least 48 hours before installation in an enclosed, ventilated and moisture-proof room

**IMPORTANT:**

3 When installing on a underfloor heating, turn it off at least 48 hours beforehand.

The floor temperature should never exceed 27°C.

4 Before installation, exclude planks with a possible defect (visual, groove or tongue damaged). In case of recurring fault, notify your dealer and not start the installation without his agreement.

**4 - PREPARATION OF SUBFLOOR**

Check the good conditions of the subfloor before the installation of the covering.

KIND OF SUBFLOOR	INSTALLATION REQUIREMENT
Slab or screed concrete / cement (after drying)	Flatness < 5 mm with ruler of 2 m and < 1 mm with rule of 20 cm
Old compact PVC or linoleum floor covering	Flatness < 5 mm with ruler of 2 m and < 1 mm with rule of 20 cm Different in height < 1 mm Joints are < 2 mm large
Old ceramic tile	Seal non-adhering tiles Different in height < 2 mm Joints are < 2 mm deep and < 4 mm large
Old glued / nailed parquet floor and old massif parquet floor	Screw the planks together if necessary Different in height < 1 mm Joints are < 2 mm large If not, sand and apply a bonding primer and a suitable fiber mortar.
Old soft PVC floor covering, rubber, carpets, textiles or laminates	Remove the covering and the possible underlay Scrapping if glue is present

For subfloors that do not comply with the installation recommendations above and which show strong irregularities, apply a bonding primer and a smoothing coat suitable for the subfloor (or a fiber-reinforced mortar for parquet floors). Sand any roughness in order to have a smooth surface. Observe the recommendations of the manufacturer of the coating and of the bonding primer.

Install on a clean, flat, hard, smooth, dry, moisture-free and crack-free surface. Remove and / or aspirate residues on the surface of the subfloor (dust, glue, grease, wax, plaster, paint, laitance ...).

In case of doubt, ask your dealer for advice.

**5 - INSTALLATION OF THE FLOOR COVERING**

**STEP 1 - INSTALLATION REQUIREMENTS & IMPLANTATION OF THE PLANKS**

- The covering should be placed at a room temperature of 15°C to 27°C.

5 - The starting axis of the first row of the planks is parallel to the length of the room to be covered and / or to the wall of the main window by dividing the width of the room into two identical parts.

6 - The width of the first and last row should be greater than 5 cm. Other-wise, the start axis will be shifted.

- The length of a plank should not be less than 25 cm.

7 - The installation will be done with re- peated staggered joints or with lost staggered joints

**STEP 2 - PERIPHERAL EXPANSION SPACE**

9 - Install the floor covering with a peripheral space of 8 mm by using shims between the covering and the wall. Provide also a peripheral space around all the fixed elements (pipes, door frames...).

- For surfaces larger than 100 m2 and larger than 10 linear meters, an fractionation joint of 8 mm must be created in the middle of the room with the addition of a suitable profile.

**STEP 3 - INSTALLATION**

- Present the 1st plank (groove towards you) in the left corner of the room to be covered backing away from the 1st row. The tongue and groove in contact with the shims will be removed with a cutter.

10 - Fit the plank firstly on the short side with the tongue in the groove with an angle of 25 ° and then tilting downwards. Then push the plank firmly into the groove of the long side of the previous row (or against the shims for the 1st row).

- Proceed as follows for the entire room to be covered. To improve the acoustic properties, it is possible to associate the covering with an acoustic underlay (refer to your dealer for more information). The underlay must imperatively be placed at 90° with respect to the planks of the covering.

**STEP 4 - CUTTING A PLANK**

For the laying of the last planks at the end of each row, a cut-out is required (overlapping method).

This cut consists of:

12 - Overlap a plank on the last fully installed plank Fig. 12 (A).

13 - Place another plank in abutment on the wall (partially overlapping the previous one and completely covering the remaining ground area) Fig. 12 (B). Don't forget to take into consideration the peripheral space of 8 mm in the cut-out.

- Use this plank as a rule to draw a marker line that serves as a guide for cutting.

13 - Pull a cutter line following the guide mark.

14 - Bend the plank several times until it breaks and remove the burrs if necessary.

- Place it on the area to be covered.

15 For irregular cut-outs, cutting is done with a cutter or jigsaw after drawing a shape.

**STEP 5 - END OF INSTALLATION**

Once the covering is installed, the peripheral adjustment shims can be removed. If desired, install a wood or PVC skirting board.

For the water rooms (bathroom or sanitary), the periphery is treated with a

suitable sealant (sanitary silicone type).

The circulation and fitting can be done immediately after installation.

When installing on an underfloor heating, the heating up must be done gradually (by step of 5°C) for at least 7 days after laying.

Particular attention will be paid to the arrangement of the furniture in order to don't damaged the covering (with adequate protection).

The placement of floor mats under wheelchairs is recommended.

**6 - MAINTENANCE**

According to the contamination of the covering, the current maintenance is carried out with a vacuum cleaner and / or wet sweeping. During wet sweeping maintenance, the use of a non-abrasive neutral detergent will retain a good appearance of the covering (list of compatible cleaning products available with your dealer).

Processed the stains as follows:

- Diluted bleach or white vinegar for a few minutes without rubbing (ink, mustard, tomato, blood, mercurochrome...).

- Cloth with a textile rust inhibitor (trace of rust).

- Cloth soaked in white spirit (grease, felt, pen...).

Followed by a thorough rinse.

**IMPORTANT:**

- Do not wash the room with plenty of water. The presence of puddles will be eliminated as soon as possible.

- Do not use wax or vitreous varnish.

- Do not use chemicals based on solvents or chlorine (acetone, trichloroethylene, etc.), black soap, linseed oil products.

- Replace the rubber elements of the furniture (castors, legs, carpet...) or provide protection by plastic or felt elements.

- Use cups under the feet of waxed or heavy furniture.

- Place mats or other systems on the outside to limit the transfer of abrasive particles (mud, gravel, pebbles).

- Protect areas that may be exposed to a heat source (stove, chimney, cigarette ash...).

**7 - HOW TO REPLACE A PLANK?**

- Split the plank diagonally with the cutter.

- Warm the plank if necessary with a hair dryer or a low temperature thermal stripper to make it more flexible.

- Then remove the pieces from the middle so as not to damage the other planks.

16 - Installing a new plank. If necessary, remove the tongue from the small side.

**8 - WARRANTY**

ESTIVAL guarantees its floor coverings against any manufacturing defects from the date of purchase.

The warranty period is 15 years, for EBENBILD EBCE 4030 and EBCF 4030.

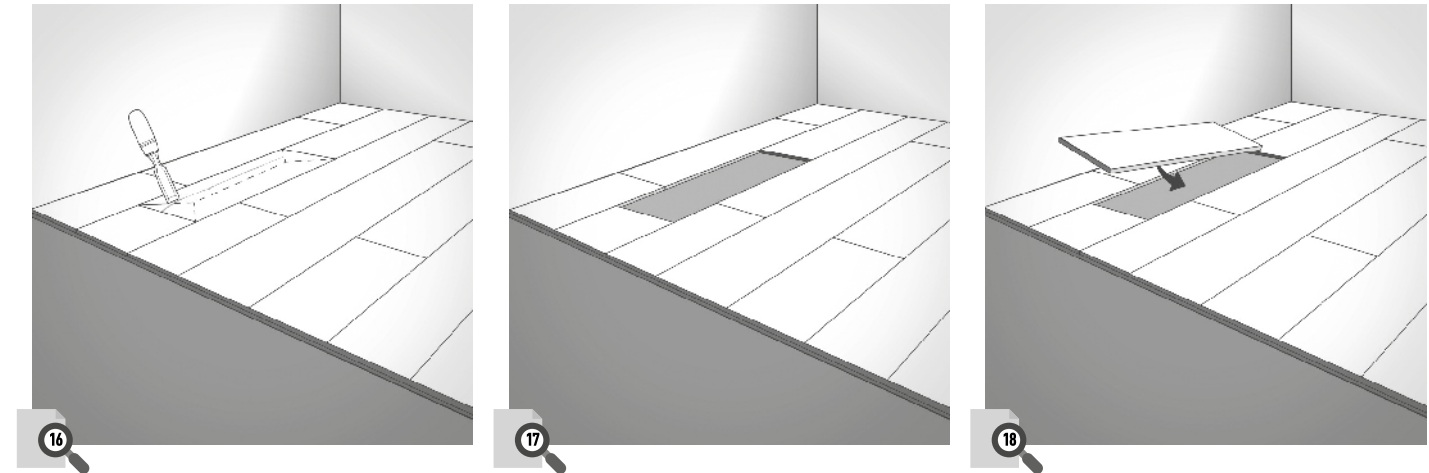
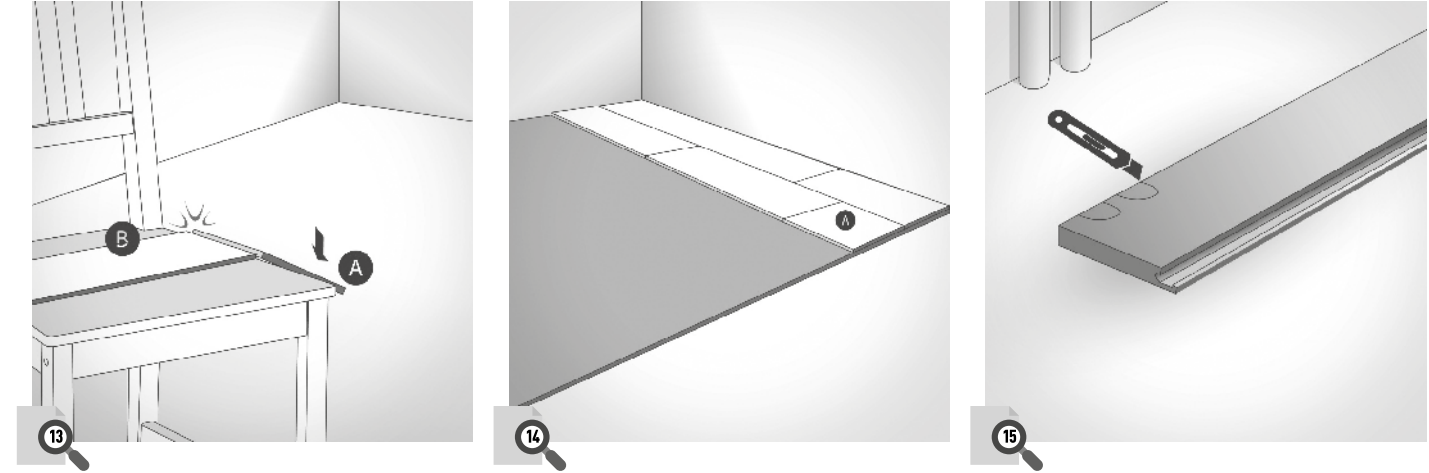
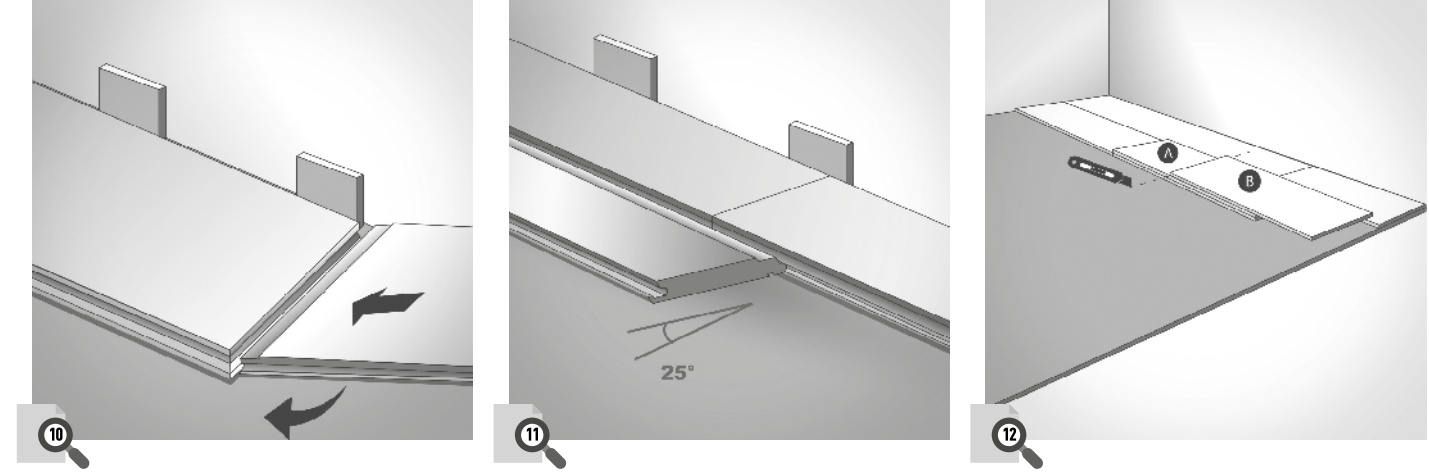
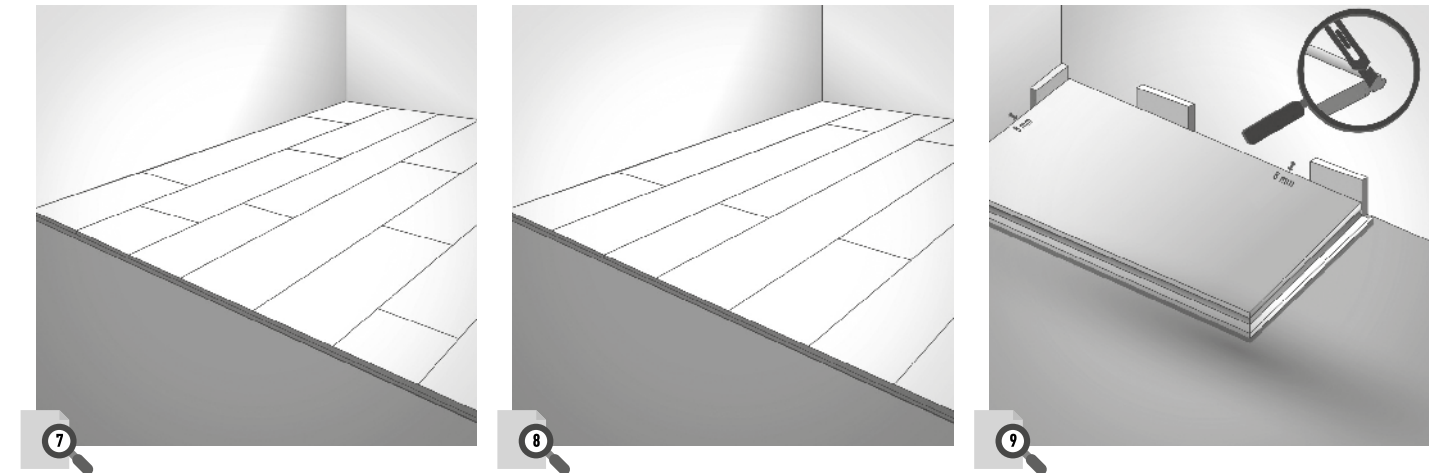
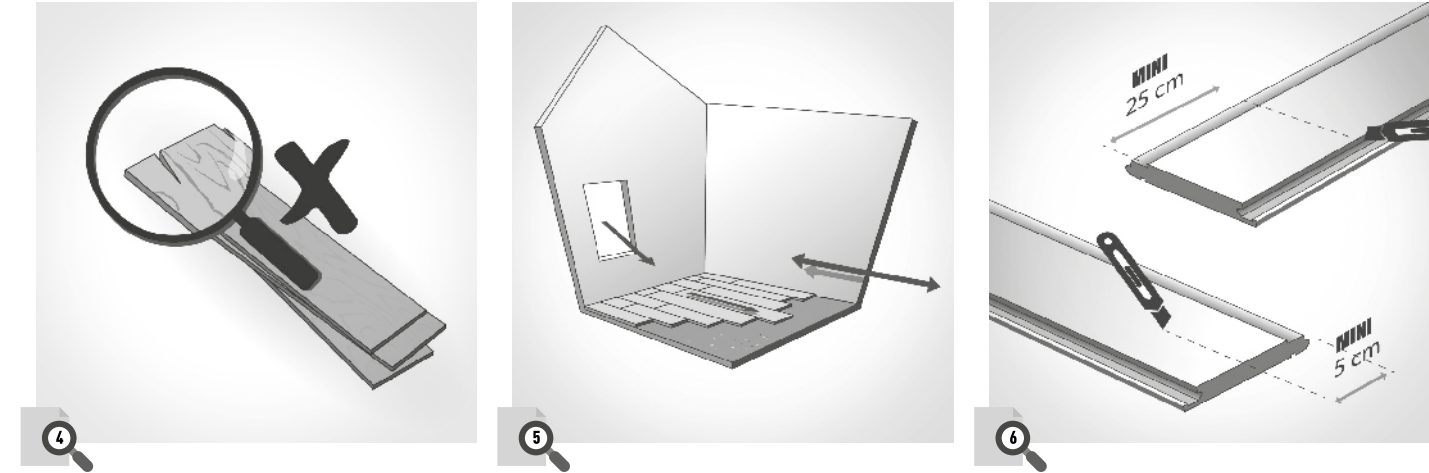
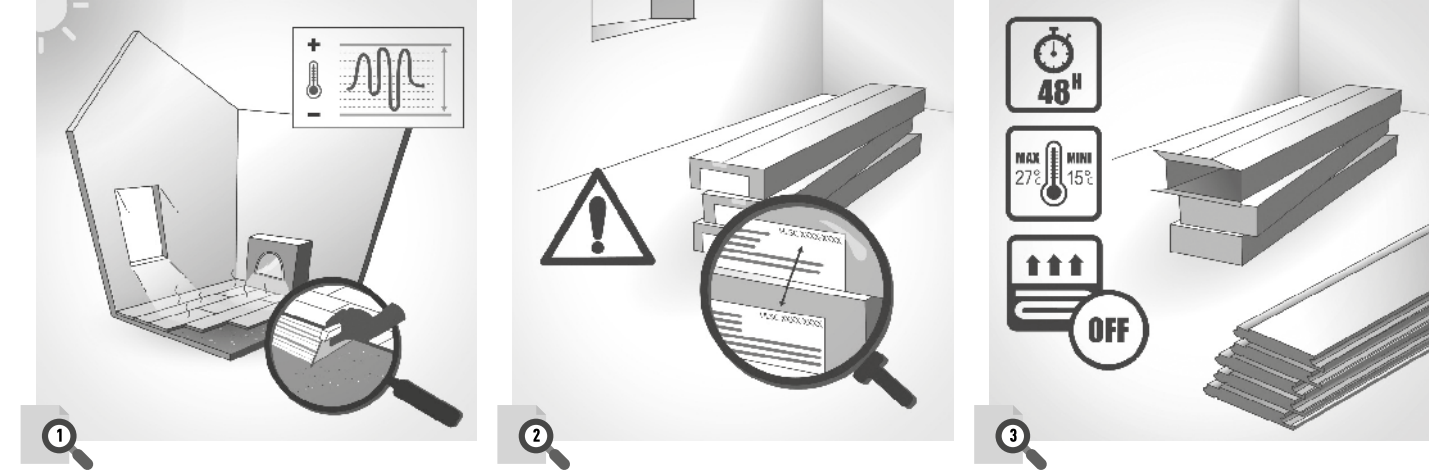
For any complaint, please contact the store where the purchase took place, provided with the corresponding receipt. Underlay is out of warranty.

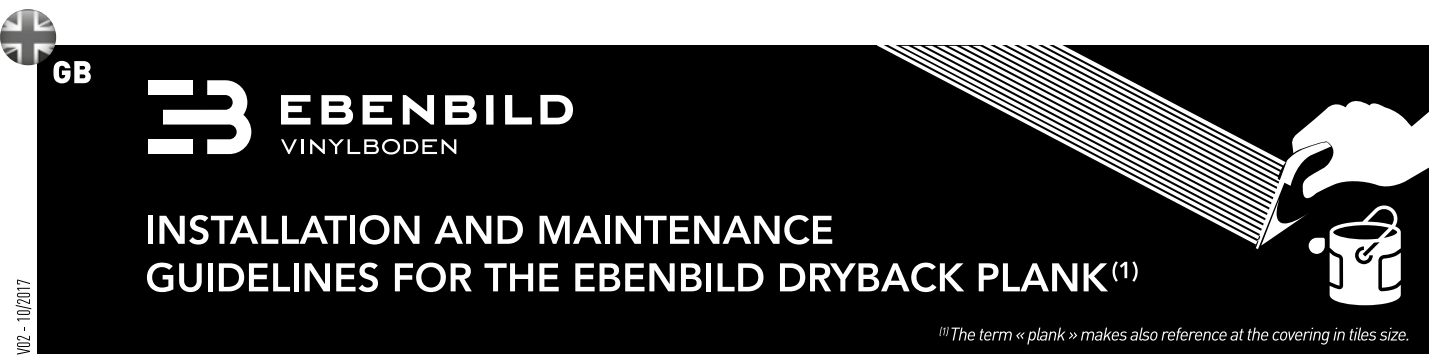
In all cases, please refer to the warranty conditions available on the website: [www.ebenbild-vinyboden.de](http://www.ebenbild-vinyboden.de)

DE Lesen Sie diese Anleitung aufmerksam durch, bevor Sie die Installation Ihrer Bodenbeläge beginnen. Im Falle der Nichtbeachtung dieser Empfehlungen kann die Garantie nicht angewendet werden.

GB Read these instructions carefully before beginning to install your flooring. In case of non-compliance with the present recommendations, the warranty can't be applied.

FR Lire attentivement cette notice avant de commencer l'installation de votre revêtement. En cas de non-respect des présentes préconisations, la garantie ne pourra être impliquée.





### 1 - USE

The floor coverings EBENBILD are intended for an use in new or old interior premises.

The use is compatible with underfloor heating (under respect of conditions §3 « Before the installation »).

#### IMPORTANT:

Don't install the covering in verandas, mobile homes, light recreational facilities, winter gardens, in rooms with a temperature < 10°C, on a reversible underfloor heating or with a temperature > 28°C, on strongly degraded supports, on a substrate with moisture rebound, on wooden panel floors.

#### IMPORTANT:

- Maintain all the time the temperature of the room where the covering is installed between 15 and 27 ° C (otherwise a room heating or cooling system is required to maintain these ambient conditions).

- When the covering is exposed to sunlight (presence of window, roof window or skylight), a protection by blanking is required.

If the above provisions do not apply, a bonding of the plank must be carried out at the exposed area with bi-component PU adhesive for extreme conditions (reference available from your dealer).

Failure to comply with these recommendations will result in a warranty exclusion.

1 For all complementary technical information, ask your dealer for advice.

### 2 - RECOMMENDED MATERIALS

Recommended materials for a good installation of the covering:

- a meter, a steel rule or steel square, a cutter, a hand roller, a heavy roller, a trowel type A2, some gloves, and a pencil or a chalk.

### 3 - BEFORE THE INSTALLATION

2 Check that the batch number is identical on the packaging of all packages.

Unpack the covering and lay it flat in small piles (decoration upwards) on a clean and level surface, at least 48 hours before installation in an enclosed, ventilated and moisture-proof room.

Mix the planks of several package from the same batch in order to avoid a color deviation and to obtain a natural visual effect.

#### IMPORTANT :

3 When installing on an underfloor heating, turn it off at least 48 hours beforehand.

The floor temperature should never exceed 27°C.

4 Before installation, exclude planks with a possible damage or visual defect. In case of recurring fault, notify your dealer and don't start the installation without his agreement.

### 4 - PREPARATION OF SUBFLOOR

Check the good conditions of the subfloor before the installation of the covering.

KIND OF SUBFLOOR	INSTALLATION REQUIREMENT
Slab or screed concrete / cement (after drying)	Flatness < 5 mm with ruler of 2 m and < 1 mm with rule of 20 cm
Old compact PVC or linoleum floor covering	Flatness < 5 mm with ruler of 2 m and < 1 mm with rule of 20 cm Different in height < 1 mm Joints are < 2 mm large
Old ceramic tile	Seal non-adhering tiles Fill the joints with a leveling compound Different in height < 2 mm
Old glued / nailed parquet floor and old massif parquet floor	Screw the planks together if necessary Different in height < 1 mm Joints are < 2 mm large If not, sand and apply a bonding primer and a suitable fiber mortar
Old soft PVC floor covering, rubber, carpets, textiles or laminates	Remove the covering and the possible underlay Scraping if glue is present

For subfloors that do not comply with the installation recommendations above and which show strong irregularities, apply a bonding primer and a leveling compound suitable for the subfloor (or a fiber-reinforced mortar for parquet floors). Sand any roughness in order to have a smooth surface. Observe the recommendations of the mortar and bonding primer supplier.

Install on a clean, flat, hard, smooth, dry, moisture-free and crack-free surface. Remove and / or aspirate residues on the surface of the subfloor (dust, glue, grease, wax, plaster, paint, laitance ...).

Apply always a bonding primer adapted with the support before installing the covering.

In case of doubt, ask your dealer for advice.

### 5 - INSTALLATION OF THE FLOOR COVERING

#### STEP 1 - INSTALLATION REQUIREMENTS & IMPLANTATION OF THE PLANKS

5 The covering should be placed at a room temperature between 15°C to 27°C.

5 - The starting axis of the first row of the planks is parallel to the length of the room to be covered and / or to the wall of the main window by dividing the width of the room into two identical parts.

6 - The width of the first and last row should be greater than 5 cm. Otherwise, the start axis will be shifted.

- The length of a plank should not be less than 25 cm.

7 8 - The installation will be done with repeated staggered joints or with lost staggered joints.

- The planks are laid edge to edge with sharp joints.

#### STEP 2 - GLUING

- The laying is performed by application of an acrylic adhesive emulsion with a trowel (type A2) and after respect of the adhesive drying and working time.

9 - Gluing by surface of 1 m² maximum so as not to exceed the working time of the adhesive

#### IMPORTANT:

- Monitor the wear of the spatula so that the amount of adhesive deposited is always respected and change it if necessary

- Carefully follow the instructions of the adhesive supplier and respect the adhesive drying recommended (which must be adapted according to the temperature and the porosity of the support, the humidity of the room and the consumption of the adhesive).

- Remove spots of fresh glue that have not been covered by the covering as it progresses

**Drying time** = the time elapsing between the sizing moment and the time at which the covering can be laid.

*Insufficient drying time will cause blistering.*

**Working time of the adhesive** = Duration between the application of the adhesive, the drying time, the installation of the covering and the 1st roller.

*Exceeding working time will result in poor transfer of adhesive to the covering and consequently poor adhesion.*

#### STEP 3 - INSTALLATION

- Present the 1st plank in one of the corner of the starting axis in the middle of the room then progress according to the surface glued and the axis.

10 - Carefully stow with the hand roller to ensure a perfect grip, taking care not to shift the planks between them.

- Proceed as follows for the following planks

11 - Before gluing a new surface of 1 m², roll several times the covering with a heavy roller on all the planks in place.

#### STEP 4 - CUTTING A PLANK

For the laying of the last planks at the end of each row, a cut-out is required (overlapping method).

This cut consists of:

12 - Overlap a plank on the last fully installed plank Fig. 12 (A).

12 - Place another plank in abutment on the wall (partially overlapping the previous one and completely covering the remaining ground area) Fig. 12 (B). Take care to don't touch the fresh adhesive with the covering.

- Use this plank as a rule to draw a marker line that serves as a guide for cutting.

13 14 - Pull a cutter line following the guide mark.

- Bend the plank several times until it breaks and remove the burrs if necessary.

- Place it on the area to be covered.

15 For irregular cut-outs, cutting is done with a cutter after drawing a shape.

#### STEP 5 - END OF INSTALLATION

The circulation on the covering is possible after:

- 48 h at least for normal foot traffic.

- 72 h at least for moving of furniture.

If desired, install a wood or PVC skirting board.

For the water rooms (bathroom or sanitary), the periphery is treated with a suitable sealant (sanitary silicone type).

When installing on an underfloor heating, the heating up must be done gradually (by step of 5°C) for at least 7 days after laying.

Particular attention will be paid to the arrangement of the furniture in order to don't damaged the covering (with adequate protection).

The placement of floor mats under wheelchairs is recommended.

### 6 - MAINTENANCE

According to the contamination of the covering, the current maintenance is carried out with a vacuum cleaner and / or wet sweeping. During wet sweeping maintenance, the use of a non-abrasive neutral detergent will retain a good appearance of the covering (list of compatible cleaning products available with your dealer).

Processed the stains as follows:

- Diluted bleach or white vinegar for a few minutes without rubbing (ink, mustard, tomato, blood, mercurochrome...).

- Cloth with a textile rust inhibitor (trace of rust).

- Cloth soaked in white spirit (grease, felt, pen...).

Followed by a thorough rinse.

#### IMPORTANT:

- Do not wash the room with plenty of water. The presence of puddles will be eliminated as soon as possible.

- Do not use wax or vitreous varnish.

- Do not use chemicals based on solvents or chlorine (acetone, trichloroethylene, etc.), black soap, linseed oil products.

- Replace the rubber elements of the furniture (castors, legs, carpet...) or provide protection by plastic or felt elements.

- Use cups under the feet of waxed or heavy furniture.

- Place mats or other systems on the outside to limit the transfer of abrasive particles (mud, gravel, pebbles).

- Protect areas that may be exposed to a heat source (stove, chimney, cigarette ash...).

### 7 - HOW TO REPLACE A PLANK?

- Split the plank diagonally with the cutter.

- Warm the plank if necessary with a hair dryer or a low temperature thermal stripper to make it more flexible.

- Then remove the pieces from the middle so as not to damage the other planks.

16 17 18 - Remove the remaining glue on the support.  
- Install the new plank (as follows §5 – steps 3 and 4).

### 8 - WARRANTY

ESTIVAL guarantees its floor coverings against any manufacturing defects from the date of purchase. The warranty period is 15 years (EBENBILD range).

For any complaint, please contact the store where the purchase took place, provided with the corresponding receipt. Underlay is out of warranty.

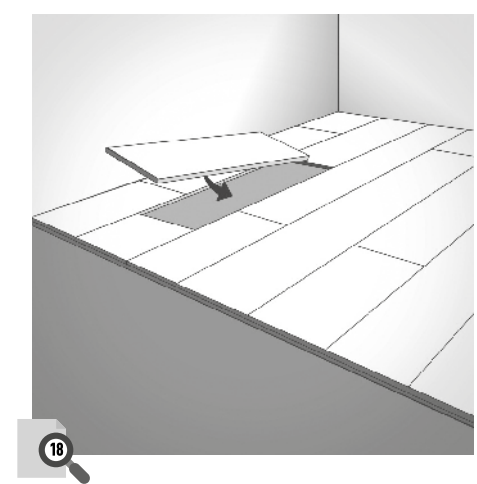
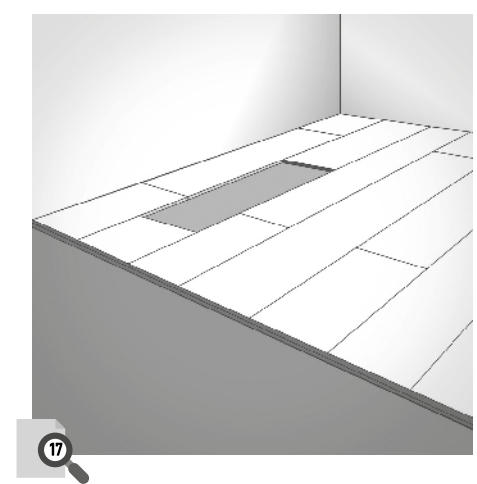
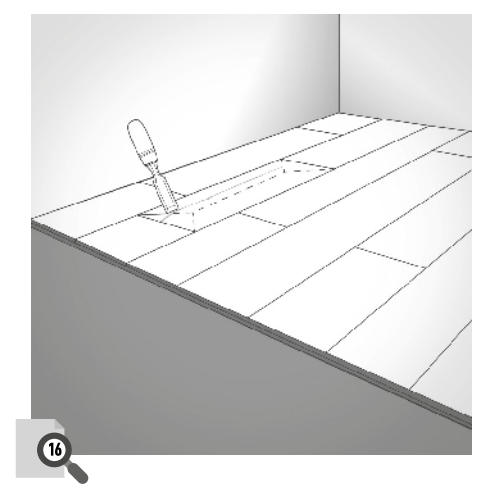
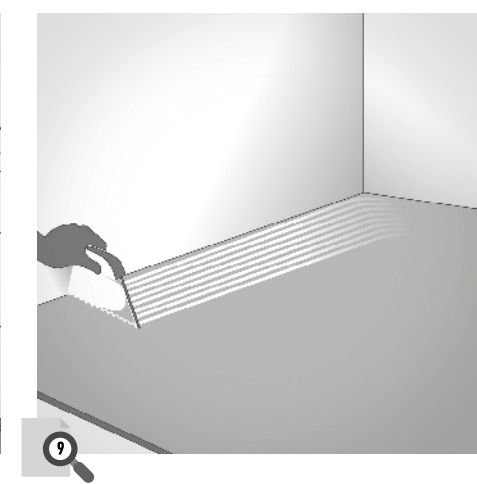
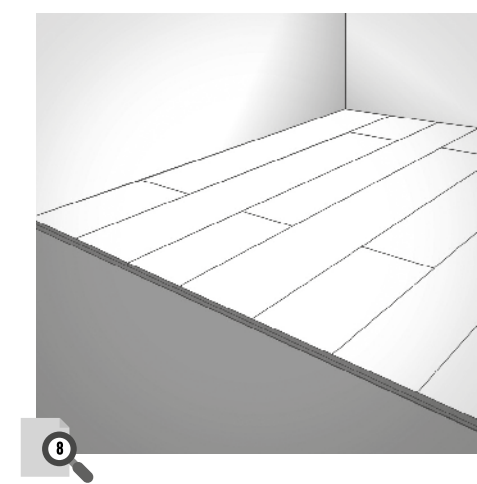
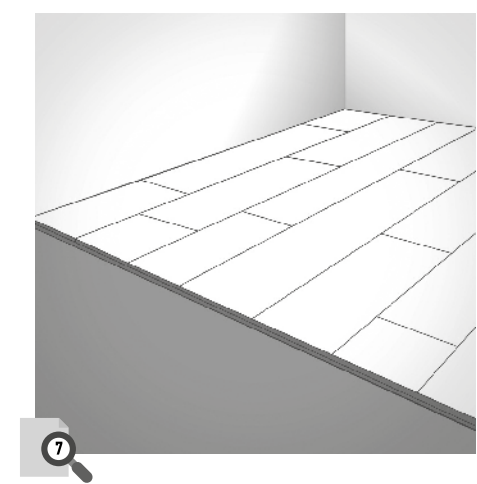
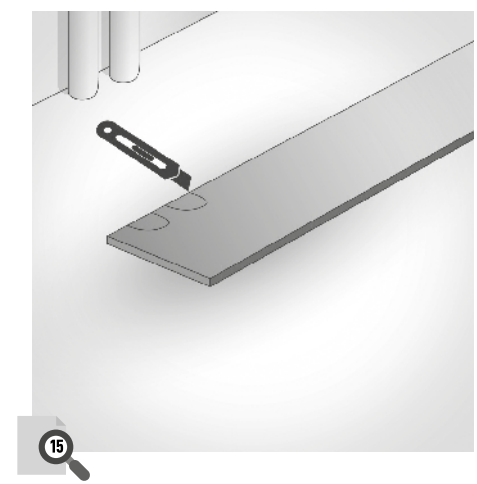
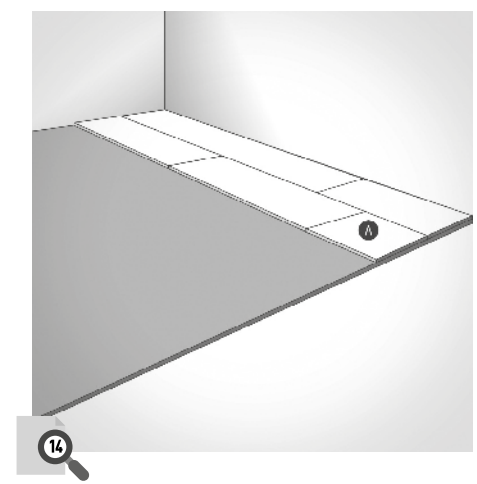
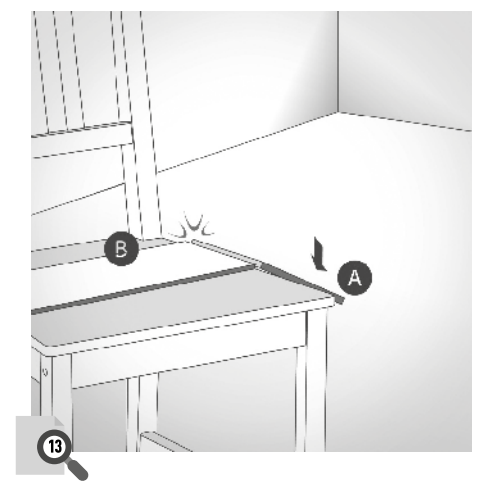
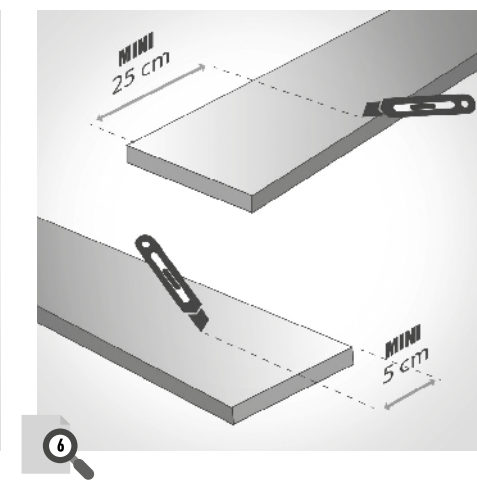
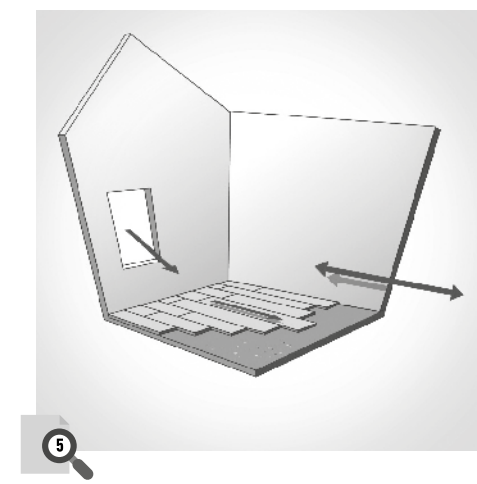
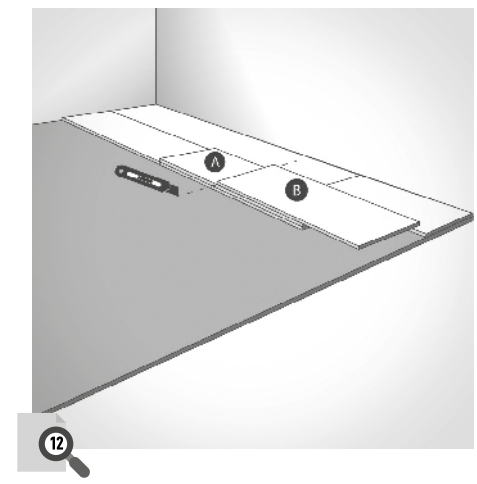
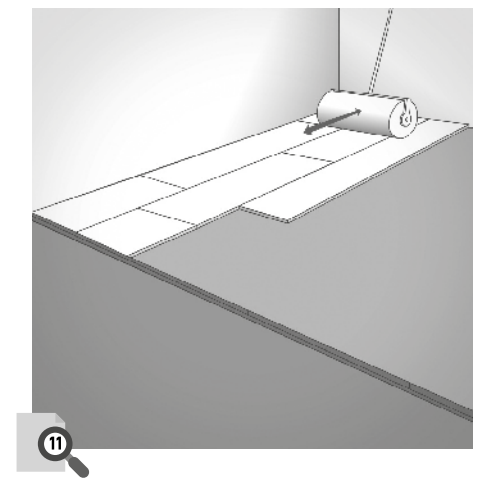
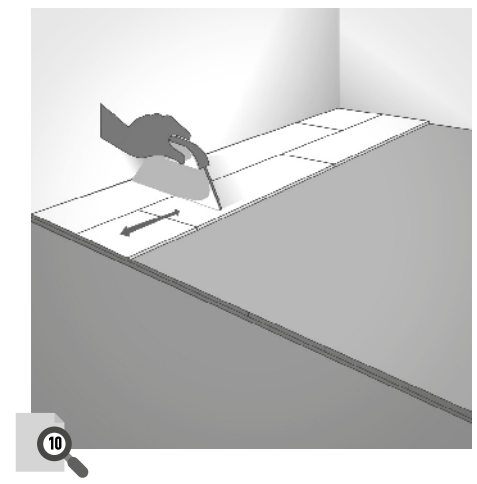
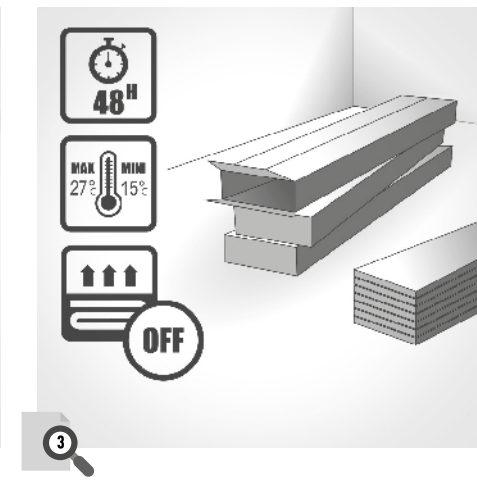
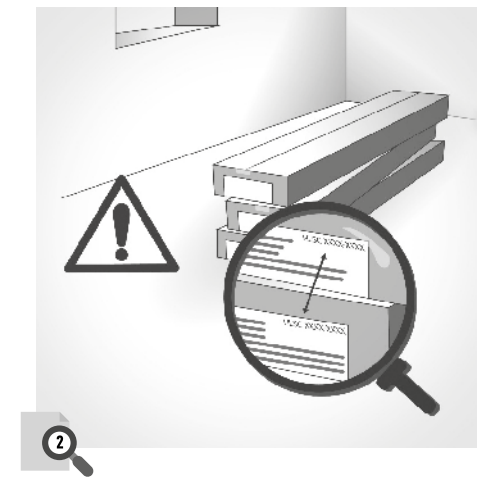
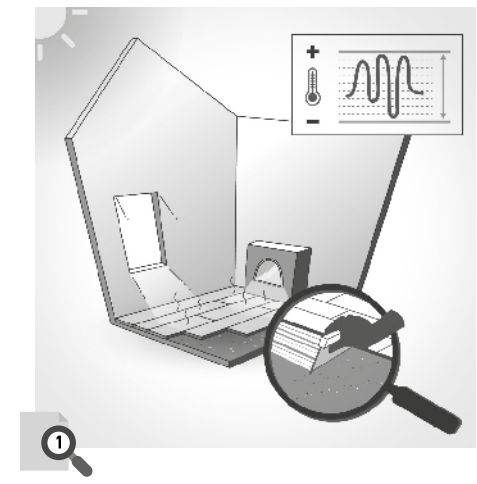
In all cases, please refer to the warranty conditions available on the website:

[www.ebenbild-vinytboden.de](http://www.ebenbild-vinytboden.de)

DE Lesen Sie diese Anleitung aufmerksam durch, bevor Sie die Installation Ihrer Bodenbeläge beginnen. Im Falle der Nichtbeachtung dieser Empfehlungen kann die Garantie nicht angewendet werden.

GB Read these instructions carefully before beginning to install your flooring. In case of non-compliance with the present recommendations, the warranty can't be applied.

FR Lire attentivement cette notice avant de commencer l'installation de votre revêtement. En cas de non-respect des présentes préconisations, la garantie ne pourra être impliquée.



**1 - USE**

The floor coverings EBENBILD are intended for an use in new or old interior premises.

The use is compatible with underfloor heating (under respect of conditions §3 « Before the installation »).

**IMPORTANT:**

Don't install the covering in verandas, mobile homes, light recreational facilities, winter gardens, in rooms with a temperature < 10°C, on a reversible underfloor heating or with a temperature > 28°C, on strongly degraded supports, on a substrate with moisture rebound, on wooden panel floors.

**IMPORTANT:**

- Maintain all the time the temperature of the room where the covering is installed between 15 and 27 ° C [otherwise a room heating or cooling system is required to maintain these ambient conditions].

- When the covering is exposed to sunlight (presence of window, roof window or skylight), a protection by blanking is required to avoid a significant expansion of the product.

If the above provisions do not apply, a bonding of the plank must be carried out at the exposed area with bi-component PU adhesive for extreme conditions (reference available from your dealer).

Failure to comply with these recommendations will result in a warranty exclusion.

For all complementary technical information, ask your dealer for advice.

**2 - RECOMMENDED MATERIALS**

Recommended materials for a good installation of the covering:

- a meter, a steel rule or steel square, a cutter or jigsaw, a wood or synthetic mallet, some gloves, some shims, and a pencil or a chalk.

**3 - BEFORE THE INSTALLATION**

Check that the batch number is identical on the packaging of all packages.

Unpack the covering and lay it flat in small piles (decoration upwards) on a clean and level surface, at least 48 hours before installation in an enclosed, ventilated and moisture-proof room

**IMPORTANT:**

When installing on a underfloor heating, turn it off at least 48 hours beforehand.

The floor temperature should never exceed 27°C.

Before installation, exclude planks with a possible defect (visual, groove or tongue damaged). In case of recurring fault, notify your dealer and not start the installation without his agreement.

**4 - PREPARATION OF SUBFLOOR**

Check the good conditions of the subfloor before the installation of the covering.

KIND OF SUBFLOOR	INSTALLATION REQUIREMENT
Slab or screed concrete / cement (after drying)	Flatness < 5 mm with ruler of 2 m and < 1 mm with rule of 20 cm
Old compact PVC or linoleum floor covering	Flatness < 5 mm with ruler of 2 m and < 1 mm with rule of 20 cm Different in height < 1 mm Joints are < 2 mm large
Old ceramic tile	Seal non-adhering tiles Different in height < 2 mm Joints are < 2 mm deep and < 4 mm large
Old glued / nailed parquet floor and old massif parquet floor	Screw the planks together if necessary Different in height < 1 mm Joints are < 2 mm large If not, sand and apply a bonding primer and a suitable fiber mortar.
Old soft PVC floor covering, rubber, carpets, textiles or laminates	Remove the covering and the possible underlay Scrapping if glue is present

For subfloors that do not comply with the installation recommendations above and which show strong irregularities, apply a bonding primer and a smoothing coat suitable for the subfloor for a fiber-reinforced mortar for parquet floors]. Sand any roughness in order to have a smooth surface. Observe the recommendations of the manufacturer of the coating and of the bonding primer.

Install on a clean, flat, hard, smooth, dry, moisture-free and crack-free surface. Remove and / or aspirate residues on the surface of the subfloor (dust, glue, grease, wax, plaster, paint, laitance ...).

In case of doubt, ask your dealer for advice.

**5 - INSTALLATION OF THE FLOOR COVERING**

**STEP 1 - INSTALLATION REQUIREMENTS & IMPLANTATION OF THE PLANKS**

- The covering should be placed at a room temperature of 15°C to 27°C.

- The starting axis of the first row of the planks is parallel to the length of the room to be covered and / or to the wall of the main window by dividing the width of the room into two identical parts.

- The width of the first and last row should be greater than 5 cm. Other- wise, the start axis will be shifted.

- The length of a plank should not be less than 25 cm.

- The installation will be done with re- peated staggered joints or with lost staggered joints

**STEP 2 - PERIPHERAL EXPANSION SPACE**

- Install the floor covering with a peripheral space of 8 mm by using shims between the covering and the wall. Provide also a peripheral space around all the fixed elements (pipes, door frames...).

- For surfaces larger than 100 m2 and larger than 10 linear meters, an fractionation joint of 8 mm must be created in the middle of the room with the addition of a suitable profile.

**STEP 3 - INSTALLATION**

- Present the 1st plank (groove towards you) in the left corner of the room to be covered backing away from the 1st row. The tongue and groove in contact with the shims will be removed with a cutter.

- Interlock the plank on the long side with the tongue into the groove at an angle of 25° (or against the shims for the 1st row). Lock the small side by vertical pressure. Check that the planks fit perfectly with the previous row.

- Proceed as follows for the entire room to be covered.

To improve the acoustic properties, it is possible to associate the covering with an acoustic underlay (refer to your dealer for more information). The underlay must imperatively be placed at 90° with respect to the planks of the covering.

**STEP 4 - CUTTING A PLANK**

For the laying of the last planks at the end of each row, a cut-out is required (overlapping method). This cut consists of:

- Overlap a plank on the last fully installed plank Fig. 12 (A).

- Place another plank in abutment on the wall (partially overlapping the previous one and completely covering the remaining ground area) Fig. 12 (B). Don't forget to take into consideration the peripheral space of 8 mm in the cut-out.

- Use this plank as a rule to draw a marker line that serves as a guide for cutting.

- Pull a cutter line following the guide mark.

- Bend the plank several times until it breaks and remove the burrs if necessary.

- Place it on the area to be covered.

For irregular cut-outs, cutting is done with a cutter or jigsaw after drawing a shape.

**STEP 5 - END OF INSTALLATION**

Once the covering is installed, the peripheral adjustment shims can be removed. If desired, install a wood or PVC skirting board.

For the water rooms (bathroom or sanitary), the periphery is treated with a suitable sealant (sanitary silicone type).

The circulation and fitting can be done immediately after installation.

When installing on an underfloor heating, the heating up must be done gradually (by step of 5°C) for at least 7 days after laying.

Particular attention will be paid to the arrangement of the furniture in order to don't damaged the covering (with adequate protection).

The placement of floor mats under wheelchairs is recommended.

**6 - MAINTENANCE**

According to the contamination of the covering, the current maintenance is carried out with a vaccum cleaner and / or wet sweeping. During wet sweeping maintenance, the use of a non-abrasive neutral detergent will retain a good appearance of the covering (list of compatible cleaning products available with your dealer).

Processed the stains as follows:

- Diluted bleach or white vinegar for a few minutes without rubbing (ink, mustard, tomato, blood, mercurochrome...).

- Cloth with a textile rust inhibitor (trace of rust).

- Cloth soaked in white spirit (grease, felt, pen...).

Followed by a thorough rinse.

**IMPORTANT:**

- Do not wash the room with plenty of water. The presence of puddles will be eliminated as soon as possible.

- Do not use wax or vitreous varnish.

- Do not use chemicals based on solvents or chlorine (acetone, trichloroethylene, etc.), black soap, linseed oil products.

- Replace the rubber elements of the furniture (castors, legs, carpet...)

- or provide protection by plastic or felt elements.

- Use cups under the feet of waxed or heavy furniture.

- Place mats or other systems on the outside to limit the transfer of abrasive particles (mud, gravel, pebbles).

- Protect areas that may be exposed to a heat source (stove, chimney, cigarette ash...).

**7 - HOW TO REPLACE A PLANK?**

- Split the plank diagonally with the cutter.

- Warm the plank if necessary with a hair dryer or a low temperature thermal stripper to make it more flexible.

- Then remove the pieces from the middle so as not to damage the other planks.

- Installing a new plank. If necessary, remove the tongue from the small side.

**8 - WARRANTY**

ESTIVAL guarantees its floor coverings against any manufacturing defects from the date of purchase. The warranty period is 15 years (EBENBILD range).

For any complaint, please contact the store where the purchase took place, provided with the corresponding receipt.

In all cases, please refer to the warranty conditions available on the website: [www.ebenbild-vinylboden.de](http://www.ebenbild-vinylboden.de)

**DE** Lesen Sie diese Anleitung aufmerksam durch, bevor Sie die Installation Ihrer Bodenbeläge beginnen. Im Falle der Nichtbeachtung dieser Empfehlungen kann die Garantie nicht angewendet werden.

**GB** Read these instructions carefully before beginning to install your flooring. In case of non-compliance with the present recommendations, the warranty can't be applied.

**FR** Lire attentivement cette notice avant de commencer l'installation de votre revêtement. En cas de non-respect des présentes préconisations, la garantie ne pourra être impliquée.

